

LE MARX ENGINEERING SERVICES

Company Profile



HEAD OFFICE: NO11_1, NILA ILLAM , THOPPAI VINAYAKAR KOIL STREET, EZHIL NAGAR ,A BLOCK
KODUNGAIYUR, CHENNAI- 600118

EMAIL: LEMARX2018@GMAIL.COM

Introduction

LE MARX ENGINEERING SERVICES was formed since 2012 as constructors to serve the nation in the field of Engineering, Construction & Welding services. We have considerable experience in Mechanical, Civil, and Structural (Commercial & Industrial Projects) as well as Welding Training, Certification & Inspection Services.

We acclaim Consultancy, Modeling, Drawing and Welding related services up to the client satisfaction. We are extending our services throughout our country. We hold the responsibility to manage and execute our projects as per ISO standards and client requirements.

We are supporting our client with technical and consultancy services along with our projects. Please find our list of services and personal experiences that speak our Quality. If you have any queries for the prequalification of the company don't hesitate to contact us. We will be really glad to assist you.

Regards

LE MARX ENGINEERING SERVICES

Proprietor

**J Jayanthi
9940256306**

Company Profile

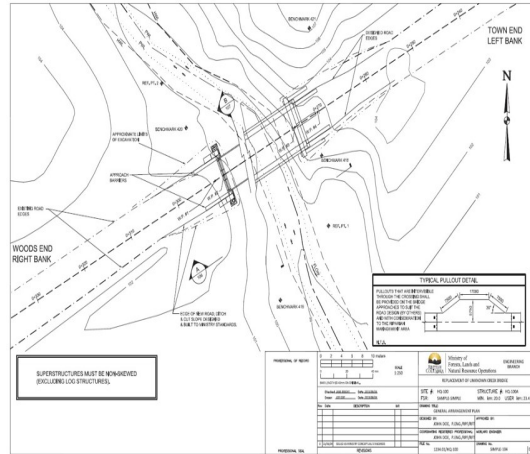
Name	:	LE MARX ENGINEERING SERVICES
BUSSINESS NATURE	:	1. Engineering Drawing & Modeling Services. 2. Engineering Consultancy services 3. Welding Services. (Applications preferred by client)
Business form	:	Sole Proprietorship.
Established	:	2018
License	:	TN02D0102079 MSME Registered by Government of India
Income Tax	:	Registered
GST	:	33AKHPJ1394F1ZC - Registered.
Contact	:	NO 11_1, NILA ILLAM, Vinayakar Koil st, Ezhil Nagar, A Block, Kodungaiyur, Chennai, 600118, Tamil Nadu. PH NO: 9940256306 Email: lemarx2018@gmail.com www.lemarx-jsw.com

Services Summary.

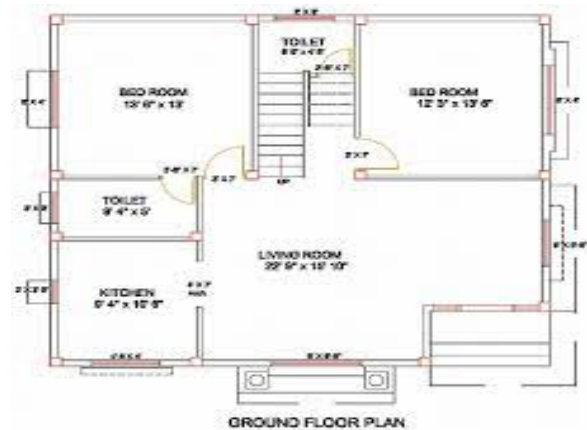
Civil Engineering	:	<ol style="list-style-type: none">1. All type of Building Layouts2. General civil Drawings3. Cad Conversion
Mechanical Engineering	:	<ol style="list-style-type: none">1. Machine Drawing2. Sheet metal Drawings3. Welding Drawings4. Plant Layout & Plant Engineering5. Instrumentation & Piping drawings
Structural Engineering	:	<p>Modeling Commercial & Industrial Structures.</p> <p>Detailing & General Arrangement Drawings & Reports</p> <p>IFA, IFC Shop work & Site work Drawings</p> <p>With reports & Instructions</p>
Welding Engineering	:	<p>Welding Training.</p> <p>Welding Certifications</p> <p>Welding Inspection</p> <p>Welding Consultancy</p>

Civil Drawings Experience.

- Any General civil drawings & cad conversion.
- As a third party - Government & Non Government projects



- Civil Plans and layouts.
- Civil Cad conversion Drawings.



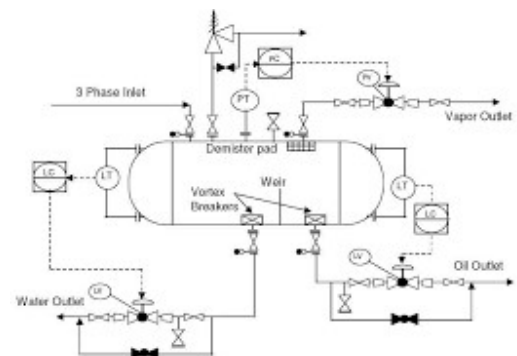
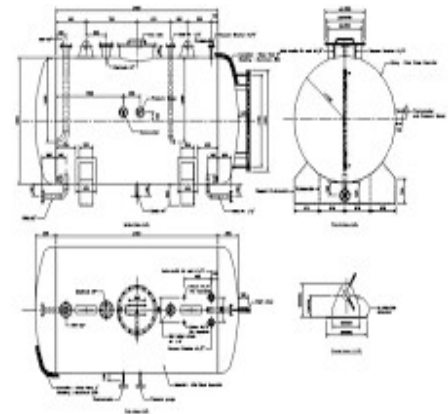
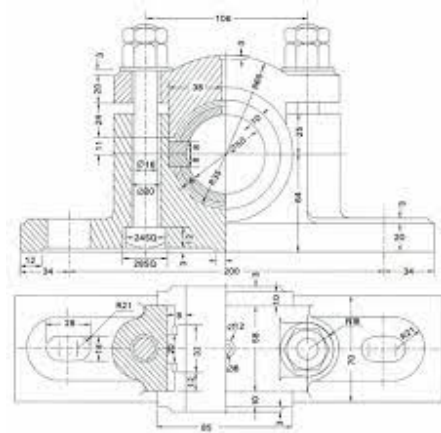
Mechanical Drawings Experience.

Have 15+ Experience in preparing the Mechanical Engineering drawings with Bill of Materials adhering with standards of ISO and Company's requirement.

- Machine drawings.
- Mechanical drawings
- Sheet metal drawings
- Piping drawings
- Plant Layout drawings
- Plant engineering drawings
- Instrumentation drawings
- Site work and Shop work drawings
- Client drawing review
- Vendor drawing review
- CADD Conversions

We have considerable experience In Plant engineering Offices & Detailing and Documentation engineering Offices

Applications as per client Requirement.



Structural Drawings Experience.

Have 15+ Experience in preparing the Structural Engineering drawings with Bill of Materials adhering with standards of BS, ANSI and European standard with ISO documentation procedures

- Modeling structural drawings
 - Of Main and Secondary steels Of Commercial and Industrial structures
 - Pipe racks etc
- Detailing Structural drawings
- General Arrangement drawings
- Shop and Assembly drawings
- Single parts.
- Prelim, IFA and IFC packages
- Shop work And Site work packages
- Variation and interface Packages

Package verified with reports, transmittals , Bolt summary and drawings will be produced

Applications as per client requirement



- 4 -

Hydrogen Reformer Structure -China



Spring's field Railway station- Australia



Fisia- Technip projects

Experience Summary.

As an Emerging concern we have experience through

- **USAM & Tech Cad India**

Cvrde Avadi Tank factory
Through Deputation

- Cethar Vessels Chennai
- William hare India pvt ltd
- Black stone technologies private limited
- Prothious Chennai etc...

Handling Projects of Technip Italy, Bechtel India, and BIM Australia etc.

Certificates:

- **Tekla Basic & Advanced**
- **Strucad-3yrs**
- **Solid works-1yr**
- **AutoCAD 2d , 3d & Auto lisp**
- **PMP certificate course from MSME Chennai**
- **Microsoft packages**



National Stadium- Singapore



Central Market- Mushraf Ali- Abudhabi

WE NOT ONLY ADD VALUE
BUT ALSO VALUES

WWW.LEMARX-JSW.COM